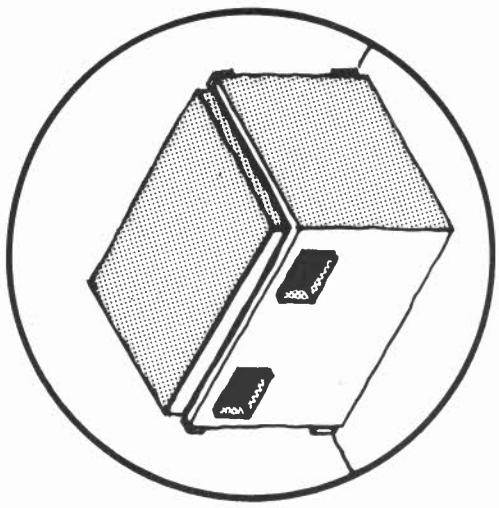
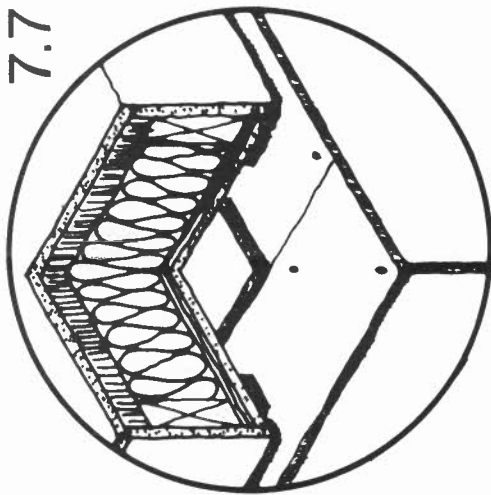
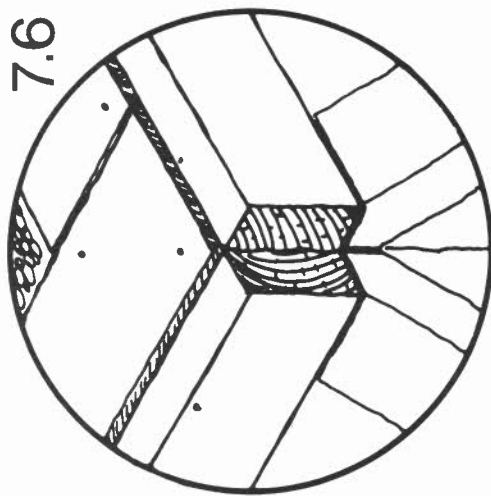
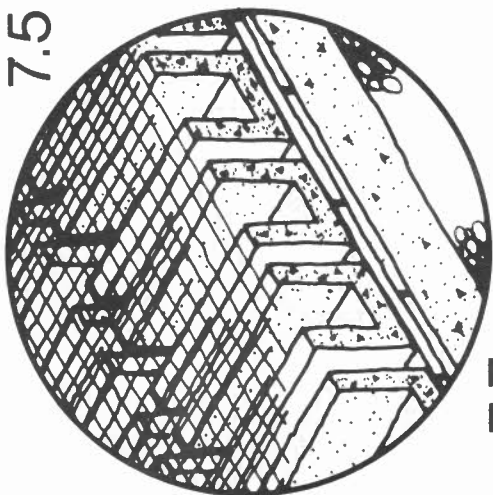
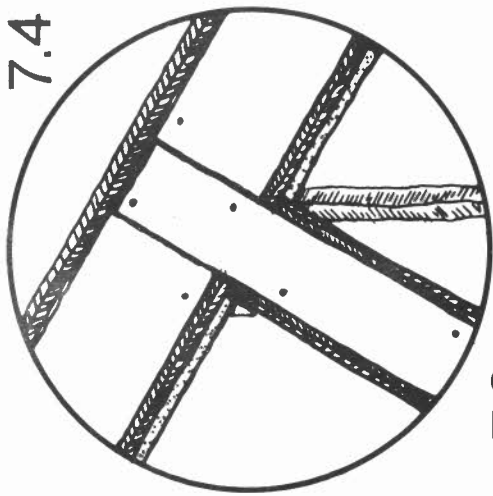
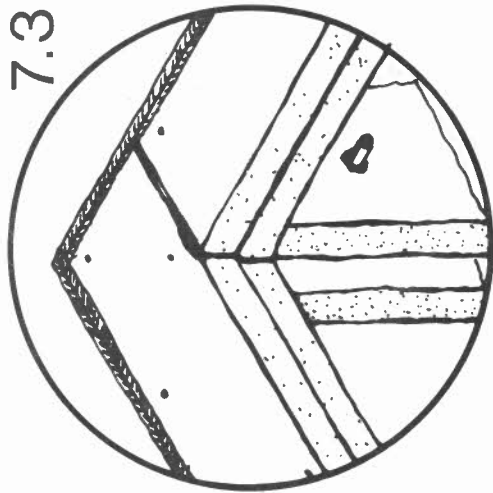
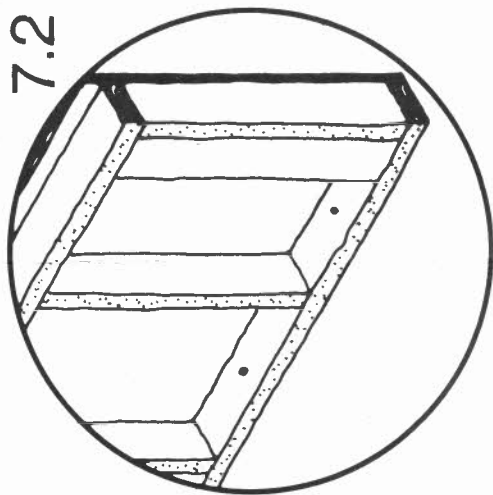
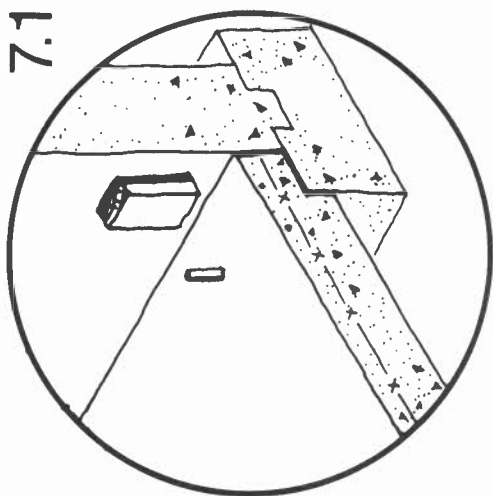


ROCK BIN



CONSTRUCTION SEQUENCE:

1. BUILDING PREPARATION
2. WALL PANELS
3. BIN ASSEMBLY
4. INTERIOR WALLS
5. BOND BLOCK
6. BRACING & LOADING
7. COVER ASSEMBLY



TOTAL ENVIRONMENTAL ACTION
Incorporated

Church Hill, Harrisville, New Hampshire 03450

NOTICE

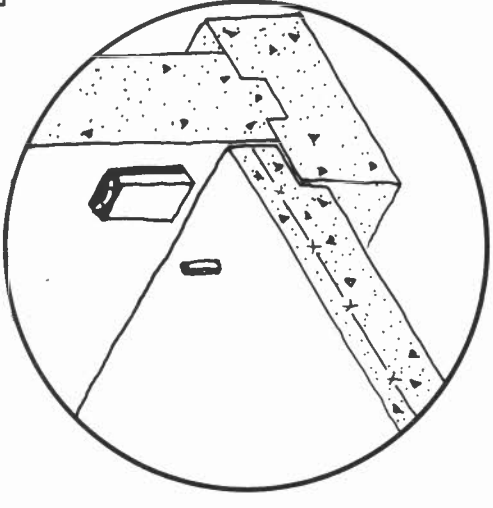
This design was developed for the United States Department of Energy. Neither TEA Inc. nor the United States nor the United States Department of Energy, nor any of their employees, nor any of their contractors, subcontractors, nor their employees makes any warranty, express or implied, or assumes any legal liability or responsibility for the accuracy, completeness, or usefulness of any information, apparatus, product, or process disclosed or contained on any of these plans, or represents that its use would not infringe upon privately owned rights.

DRAWN BY: J.A. ADAMS

FEBRUARY, 1980

BUILDING 1 PREPARATION

BIN



MATERIALS:

- 2x4 BLOCKING
- 1/2" RIGID INSULATION

FASTENERS:

- 1/4" x 3-7/16" POWDER ACTUATED PINS
- 1/2" x 8" ANCHOR BOLTS

CAULK AT:
NOT APPLICABLE



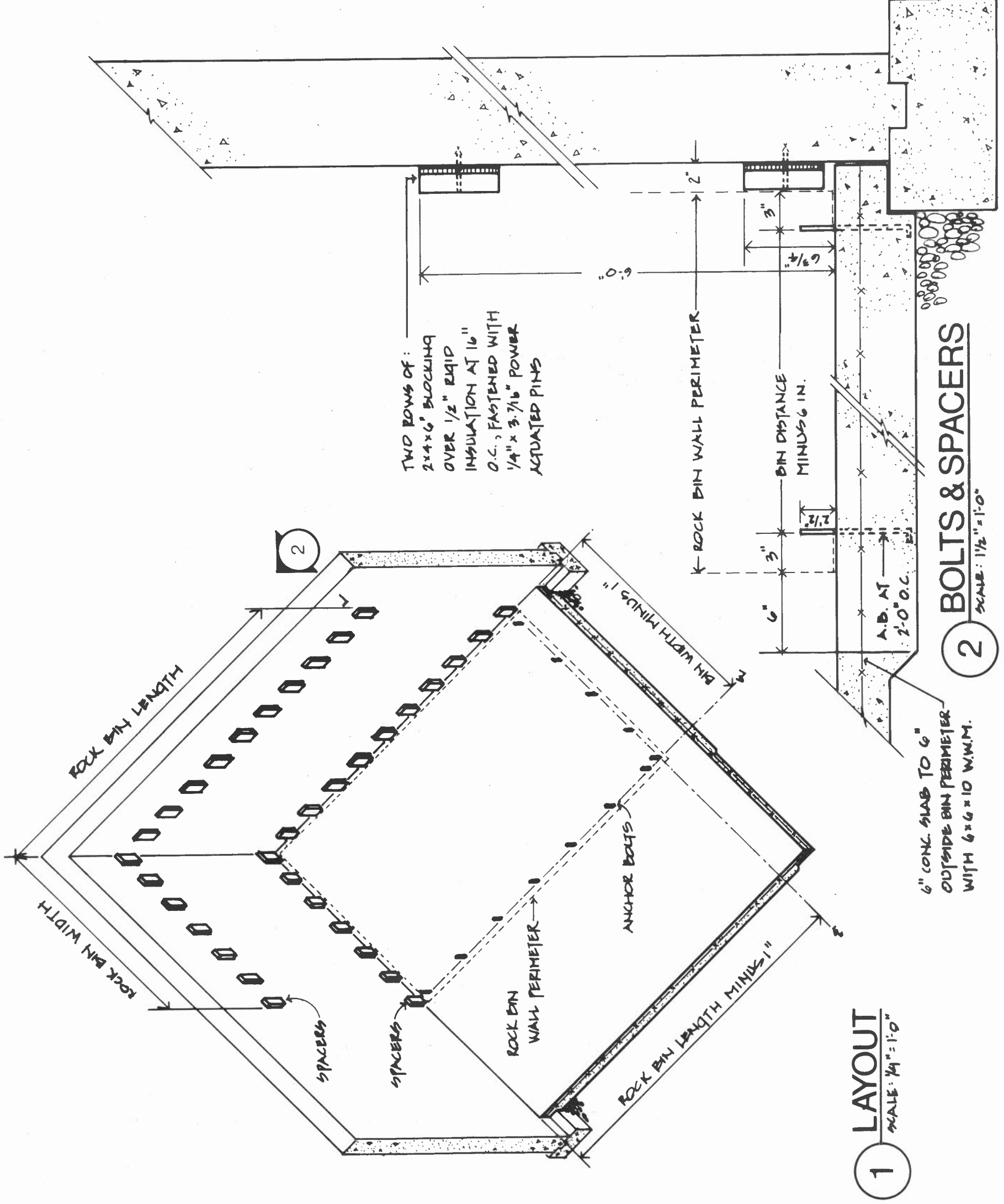
Church Hill, Harrisville, New Hampshire 03450

NOTICE

This design was developed for the United States Department of Energy. Neither TEA, Inc. nor the United States nor the United States Department of Energy, nor any of their employees, nor any of their contractors, subcontractors, nor their employees makes any warranty, express or implied, or assumes any legal liability or responsibility for the accuracy, completeness, or usefulness of any information, apparatus, product, or process disclosed or contained on any of these plans, or represents that its use would not infringe upon privately owned rights.

DRAWN BY: J.A. ADAMS

FEBRUARY, 1980



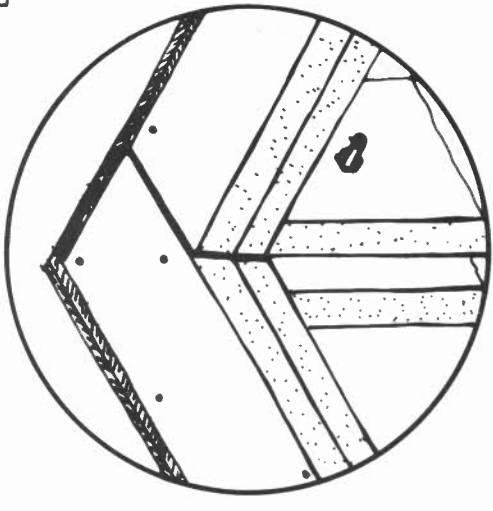
1 LAYOUT
SCALE: 1/4" = 1'-0"

2 BOLTS & SPACERS
SCALE: 1 1/2" = 1'-0"

6" CONC. SLAB TO 6"
OUTSIDE BIN PERIMETER
WITH 6x6x10 W.W.M.

BIN 3 ASSEMBLY

BIN



- MATERIALS:**
 WALL PANELS, 5 1/2" FIBERGLASS BATT
 2x6 TOP PLATE
 1/2" ASPHALT IMPREGNATED SILL INSULATION, 6" WIDE
- FASTENERS:**
 16d - 3 1/2" COMMON NAILS
 1/2" x 4 1/2" LAG BOLTS WITH WASHERS
 8d - 2 1/2" COMMON NAILS
 1/2" I.P. NUTS FOR ANCHOR BOLTS
- CAULK AT:**
 NOT APPLICABLE

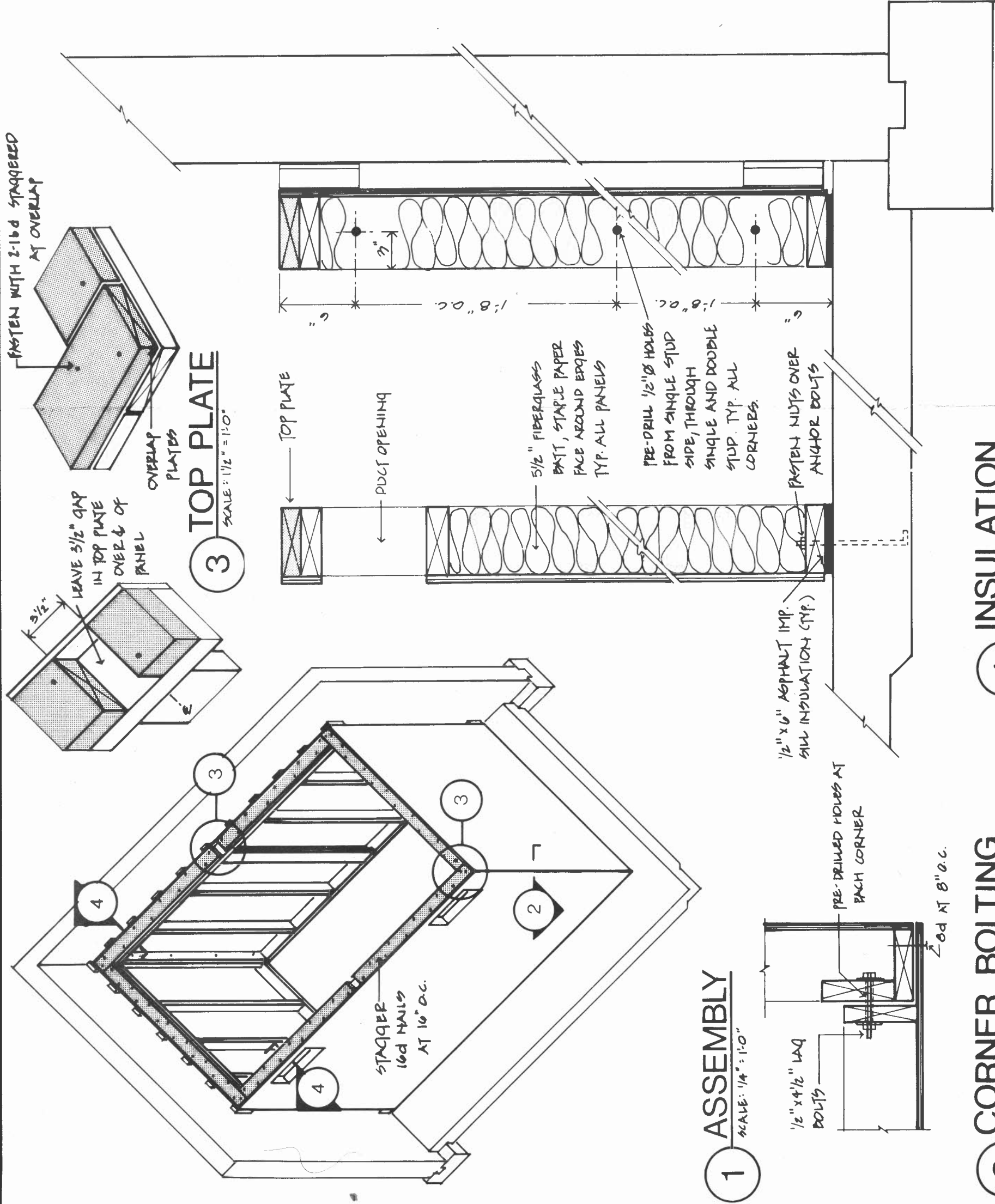


Church Hill, Harrisville, New Hampshire 03450

NOTICE
 This design was developed for the United States Department of Energy. Neither TEA, Inc., nor the United States nor the United States Department of Energy, nor any of their employees, nor any of their contractors, subcontractors, nor their employees makes any warranty, express or implied, or assumes any legal liability or responsibility for the accuracy, completeness, or usefulness of any information, apparatus, product, or process disclosed or contained on any of these plans, or represents that its use would not infringe upon privately owned rights.

DRAWN BY: J.A. ADAMS

FEBRUARY, 1980

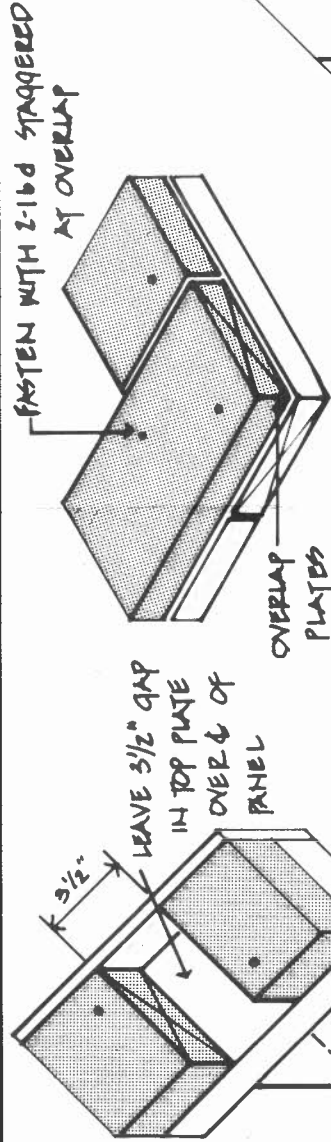


1 ASSEMBLY
 SCALE: 1/4" = 1'-0"

2 CORNER BOLTING
 SCALE: 1 1/2" = 1'-0"

3 TOP PLATE
 SCALE: 1 1/2" = 1'-0"

4 INSULATION
 SCALE: 1 1/2" = 1'-0"

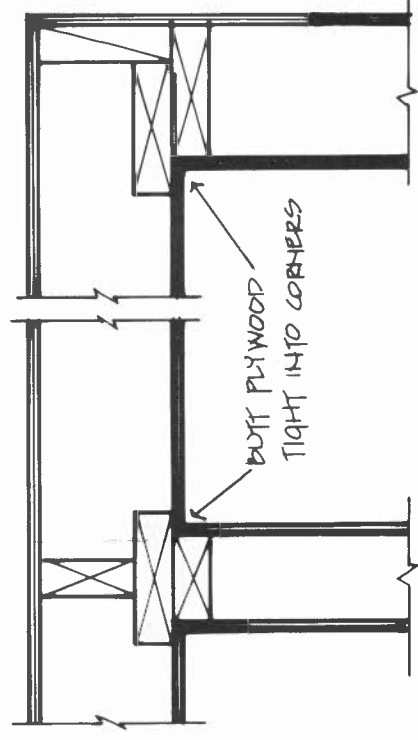
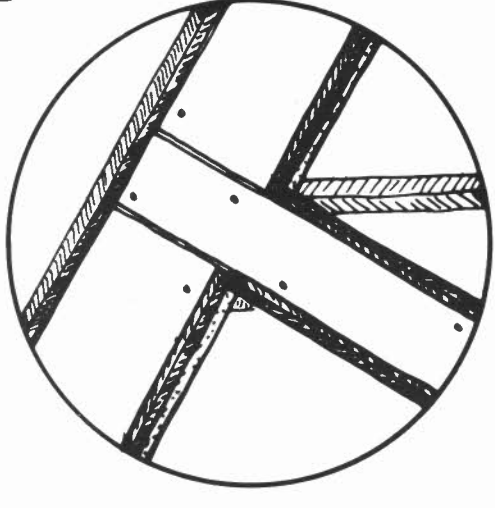


NOTICE
 This design was developed for the United States Department of Energy. Neither TEA, Inc., nor the United States nor the United States Department of Energy, nor any of their employees, nor any of their contractors, subcontractors, nor their employees makes any warranty, express or implied, or assumes any legal liability or responsibility for the accuracy, completeness, or usefulness of any information, apparatus, product, or process disclosed or contained on any of these plans, or represents that its use would not infringe upon privately owned rights.

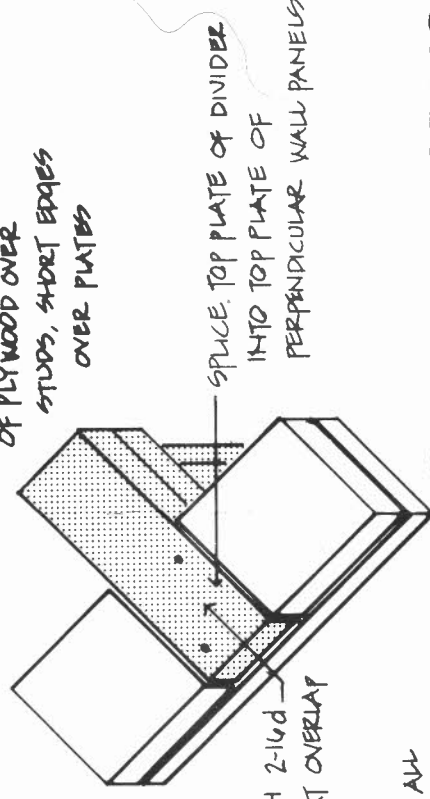
DRAWN BY: J.A. ADAMS

FEBRUARY, 1980

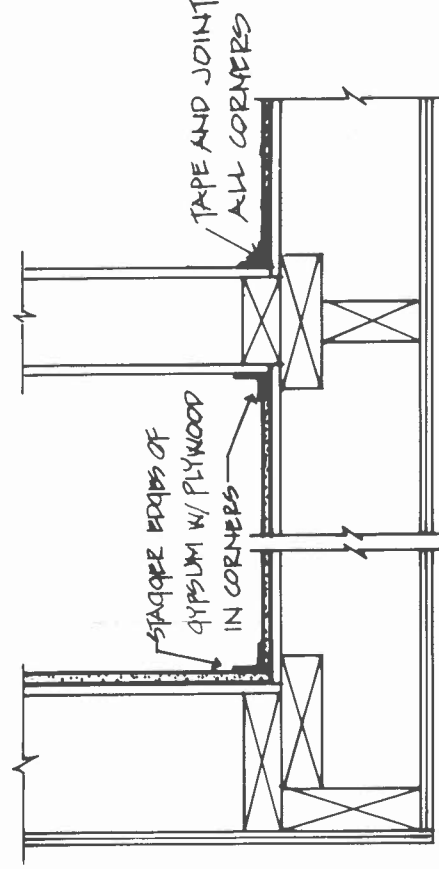
INTERIOR WALLS 4 BIN



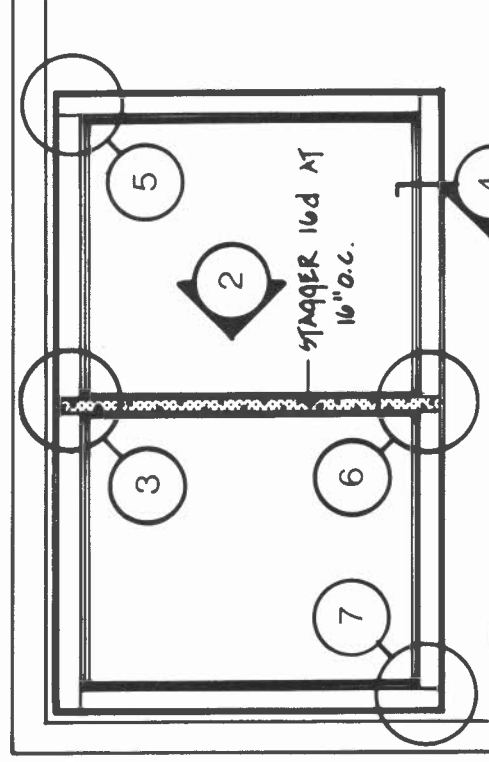
5 PLYWOOD
SCALE: 1/2" = 1'-0"
NOTE: LAY LONG EDGES OF PLYWOOD OVER STUDS, SHORT EDGES OVER PLATES



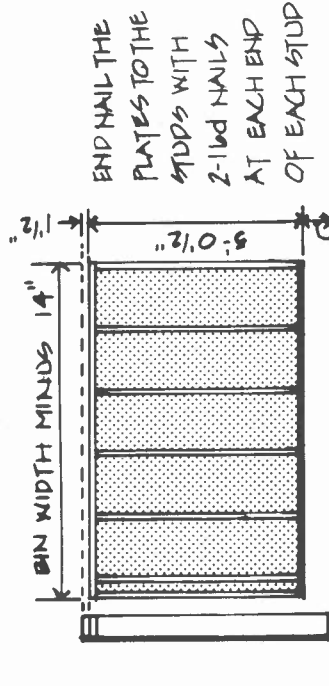
6 PLATE SPLICE
SCALE: 1/2" = 1'-0"



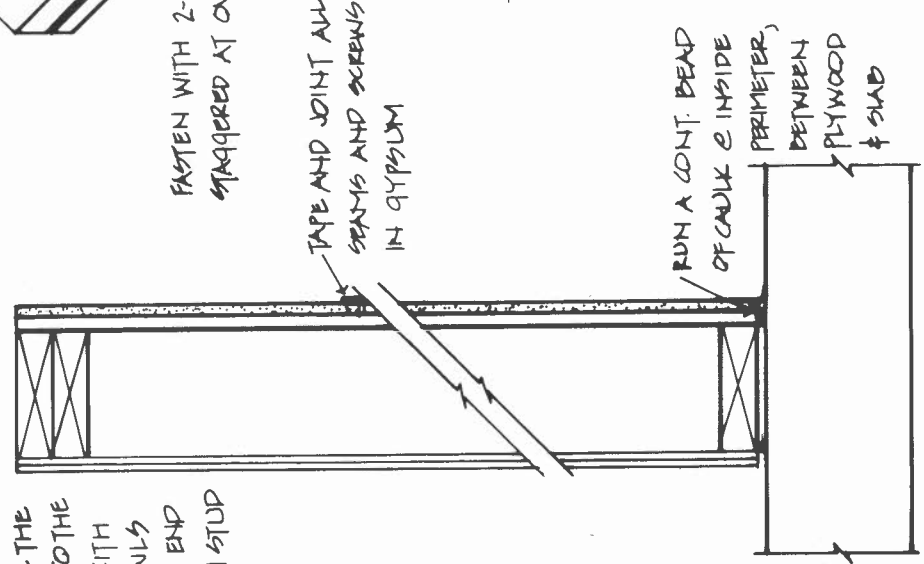
7 GYPSUM BOARD
SCALE: 1/2" = 1'-0"
NOTE: LAY LONG EDGE OF GYPSUM PERPENDICULAR TO LONG EDGE OF CDX



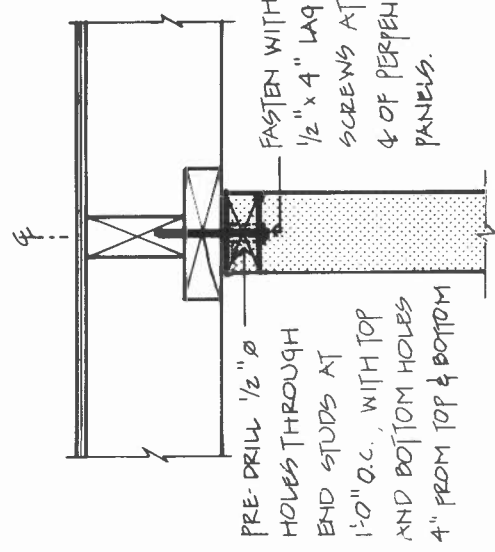
1 PLAN
SCALE: 1/4" = 1'-0"



2 DIVIDER
SCALE: 1/4" = 1'-0"



4 TAPE & CAULK
SCALE: 1/2" = 1'-0"



3 LAG BOLT
SCALE: 1/2" = 1'-0"

MATERIALS:

- 2x4 LUMBER
 - 1/2" CDX PLYWOOD
 - 1/2" GYPSUM BOARD
 - TAPe AND JOINT COMPOUND
- FASTENERS:**
- 16d - 3 1/2" COMMON NAILS
 - 8d - 3 1/2" COMMON NAILS
 - 1" DRYWALL SCREENS

CAULK AT:
INTERSECTION OF CDX PLYWOOD & SLAB



TOTAL ENVIRONMENTAL ACTION
Incorporated

Church Hill, Harrisville, New Hampshire 03450

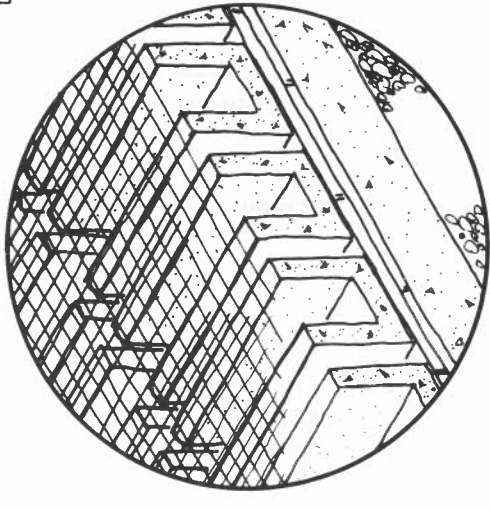
NOTICE
This design was developed for the United States Department of Energy. Neither TEA, Inc., nor the United States nor the United States Department of Energy, nor any of their employees, nor any of their contractors, subcontractors, nor their employees makes any warranty, express or implied, or assumes any legal liability or responsibility for the accuracy, completeness, or usefulness of any information, apparatus, product, or process disclosed or contained on any of these plans, or represents that its use would not infringe upon privately owned rights.

DRAWN BY: J.A. ADAMS

FEBRUARY, 1980

BOND 5 BLOCK

BIN



MATERIALS:

- (1) 30 GAUGE PRE-FABRICATED DUCT COLLARS
8" x 22 1/2" x 9" WITH 1/2" HANGING FLANGE
 - (2) 1" RIGID INSULATION, (3) 8" x 8" x 16" OPEN-END BOND BLOCK, (4) 3/4" SELF-FURRING METAL LATH
- FASTENERS:
1 1/2" DRY WALL SCREWS

CAULK AT:

INSIDE EDGE OF DUCT OPENING, BETWEEN GYPSUM BOARD & DUCT COLLAR HANGING FLANGE



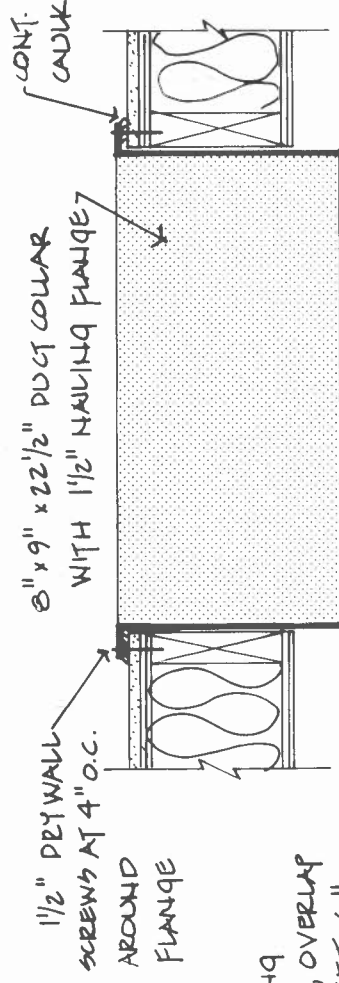
Church Hill, Harrisville, New Hampshire 03450

NOTICE

This design was developed for the United States Department of Energy. Neither TEA, Inc., nor the United States nor the United States Department of Energy, nor any of their employees, nor any of their contractors, subcontractors, nor their employees makes any warranty, express or implied, or assumes any legal liability or responsibility for the accuracy, completeness, or usefulness of any information, apparatus, product, or process disclosed or contained on any of these plans, or represents that its use would not infringe upon privately owned rights.

DRAWN BY: J.A. ADAMS

FEBRUARY, 1980



2 DUCT COLLAR

SCALE: 1 1/2" = 1'-0"

1 METAL LATH

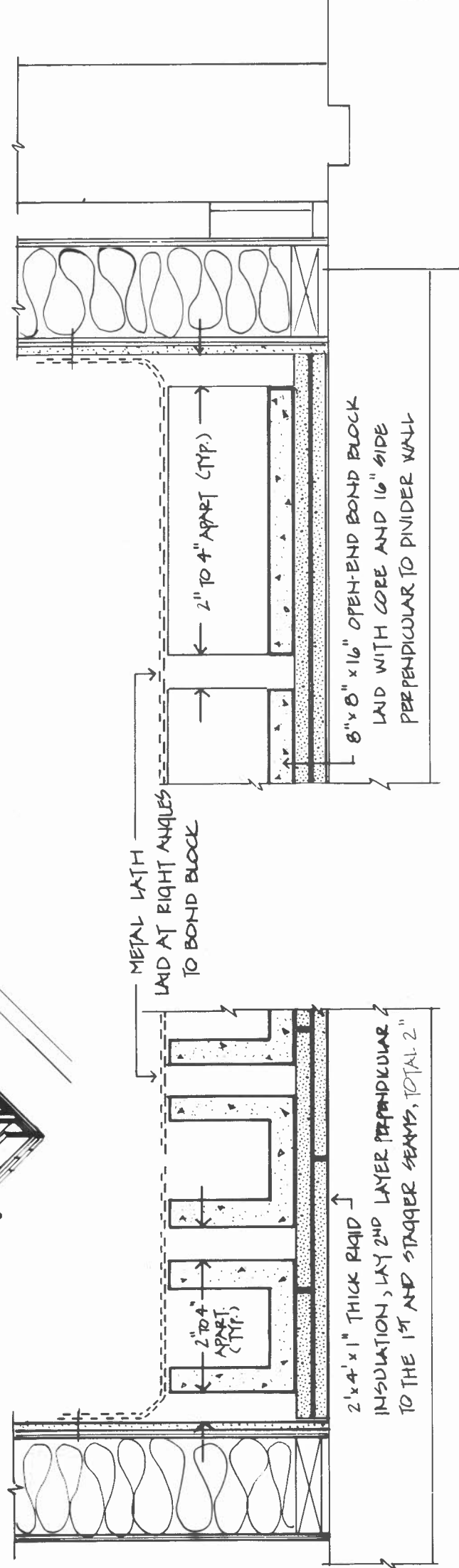
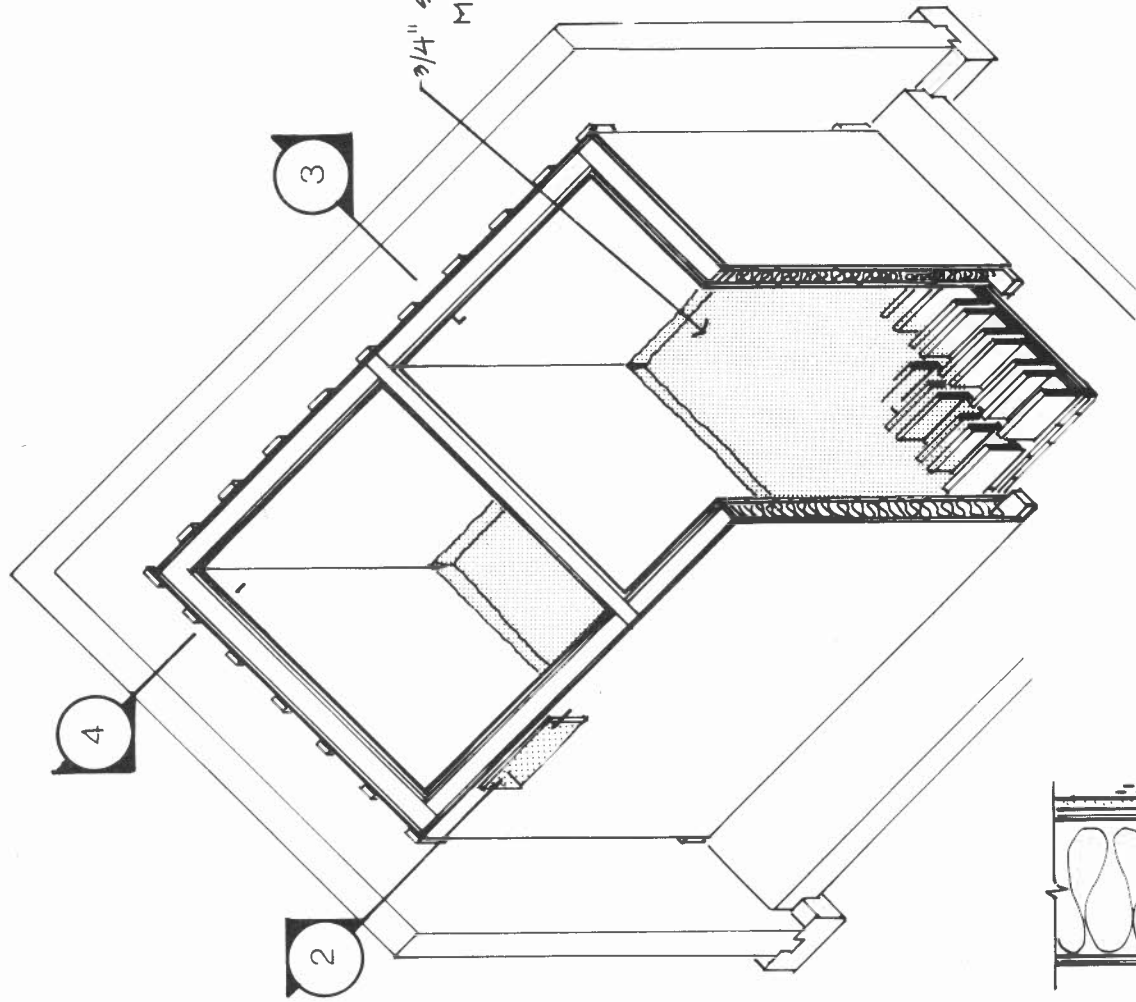
SCALE: 1/4" = 1'-0"

1/2" DRY WALL SCREWS AT 4" O.C. AROUND FLANGE

CONT. CAULK

8" x 9" x 22 1/2" DUCT COLLAR WITH 1/2" HANGING FLANGE

1/2" SELF-FURRING METAL LATH; OVERLAP EACH SHEET 6" OVER LAST. TURN UP 6" AT EVERY WALL



3 INSULATION

SCALE: 1 1/2" = 1'-0"

NOTE: INSULATION SHOULD BE NON-FLAMMABLE AND NON-TOXIC. POLYSTYRENE AND POLYURETHANE SHOULD NOT BE USED.

4 BLOCKS

SCALE: 1 1/2" = 1'-0"

2" TO 4" APART (TYP.)

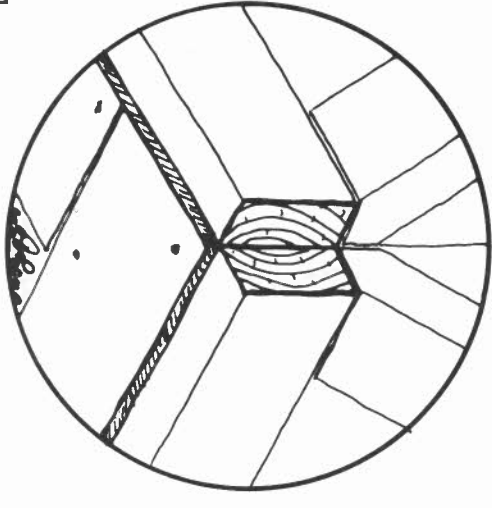
2" TO 4" APART (TYP.)

8" x 8" x 16" OPEN-END BOND BLOCK LAID WITH CORE AND 16" SIDE PERPENDICULAR TO DIVIDER WALL

BRACING & LOADING

6

BIN



MATERIALS:

- 3/4" - 1/2" MIXED ROCK (SEE VOID TEST)
 - 2x4 LUMBER
 - TEMPERATURE SENSORS
 - 1/2" PIPE, COLLAR AND CAP
- ## FASTENERS:
- #4 x 3/4" FLAT HEAD SCREWS
 - 16 d - 2 1/2" DOUBLE HEADED SCAFFOLD NAILS
 - 1/4" x 3-7/16" POWER ACTUATED PINS

CAULK AT:

- INTERSECTION OF PIPES AND INSIDE GYPSUM
- 2 EDGES OF PIPE COLLAR
- HOLE IN PIPE CAP



TOTAL ENVIRONMENTAL ACTION INCORPORATED

Church Hill, Harrisville, New Hampshire 03450

NOTICE

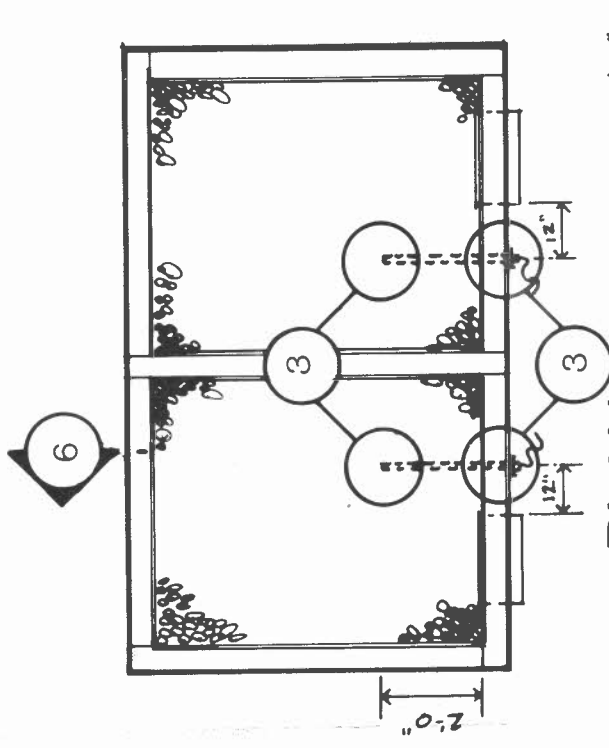
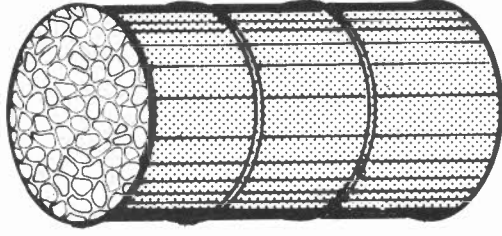
This design was developed for the United States Department of Energy. Neither TEA, Inc., nor the United States nor the United States Department of Energy, nor any of their employees, nor any of their contractors, subcontractors, nor their employees makes any warranty, express or implied, or assumes any legal liability or responsibility for the accuracy, completeness, or usefulness of any information, apparatus, product, or process disclosed or contained on any of these plans, or represents that its use would not infringe upon privately owned rights.

DRAWN BY: J.A. ADAMS

FEBRUARY, 1980

4 VOID TEST

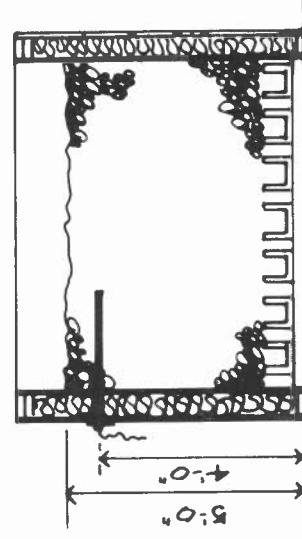
TAKE SAMPLE OF MIXTURE OF 3/4" TO 1 1/2" CRUSHED ROCK GRADED TO CONTAIN NOT LESS THAN 40% VOIDS. FILL 55 GAL. DRUM. POUR IN MEASURED GALLONS OF WATER UNTIL OVERFLOWING. DRUM MUST ACCEPT 22 GALLONS OF WATER BEFORE OVERFLOWING FOR MIXTURE OF ROCK TO PASS TEST.



5 PLAN

SCALE: 1/4" = 1'-0"

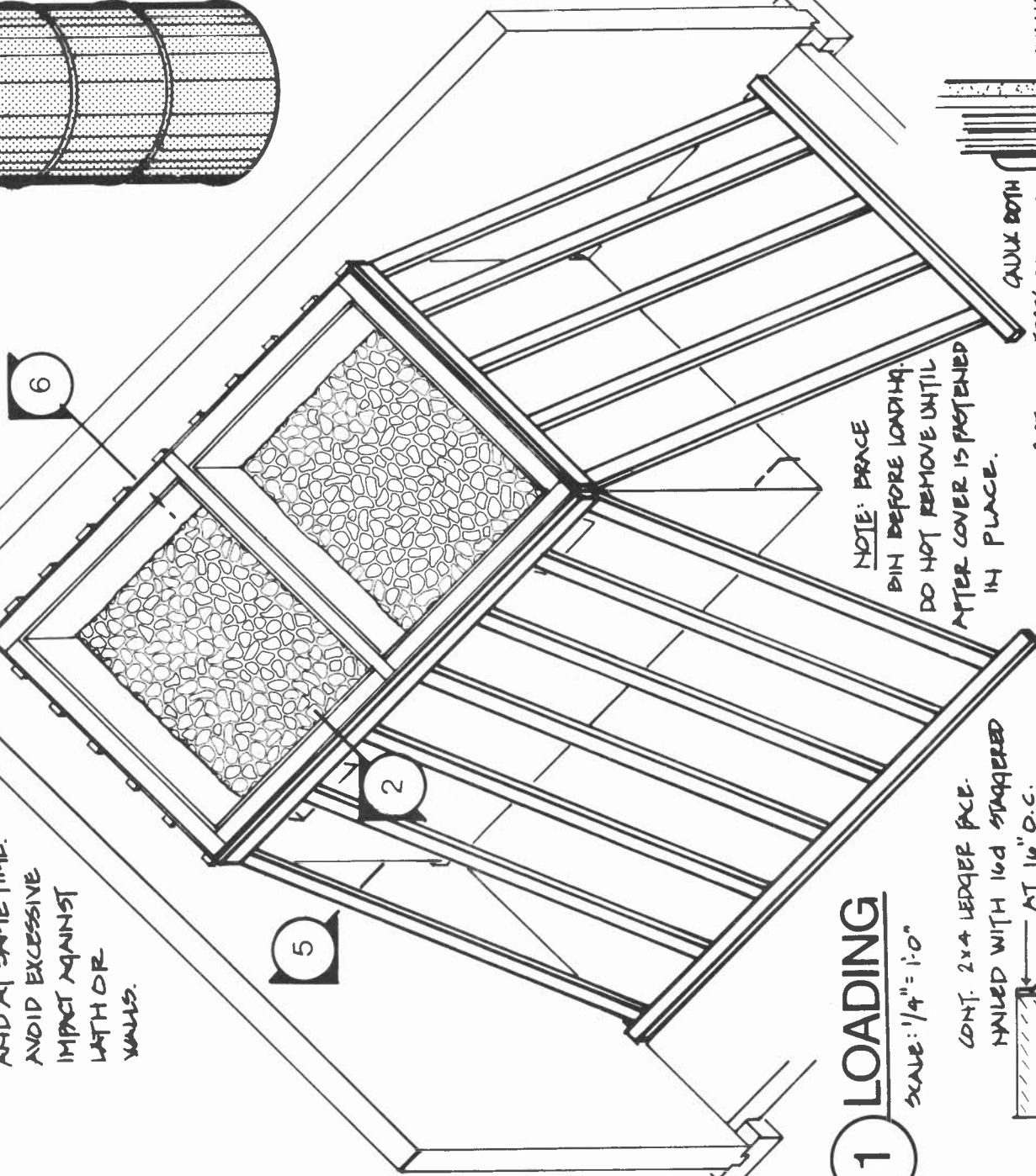
LOAD ROCK TO 4'-0" ABOVE SLAB. FASTEN PIPE. LOAD ROCK TO 5'-0".



6 SECTION

SCALE: 1/4" = 1'-0"

NOTE: WASH ROCK TWICE BEFORE LOADING WITH SHOVEL. LOAD ROCK TO BOTH SIDES OF THE DIVIDER, EQUALLY AND AT SAME TIME. AVOID EXCESSIVE IMPACT AGAINST LATH OR WALLS.



1 LOADING

SCALE: 1/4" = 1'-0"

CONT. 2x4 LEDGER FACE NAILED WITH 16d STAGGERED AT 16" O.C.

2x4 BRACE AT 2'-0" O.C.

CONT. 2x4 SHEAR PLATE SHOT WITH 1/4" x 3-7/16" PINS AT 24" O.C.

NOTE:

BRACE BIN BEFORE LOADING. DO NOT REMOVE UNTIL AFTER COVER IS FASTENED IN PLACE.

PIPE CAP

DRILL HOLE FOR WIRE

THREAD END OF PIPE

CAULK HOLE IN CAP

PIPE COLLAR

CAULK BOTH EDGES OF COLLAR

1/2" PIPE

WIRE

TEMP. SENSOR

3 SENSOR

SCALE: 1/4" = 1'-0"

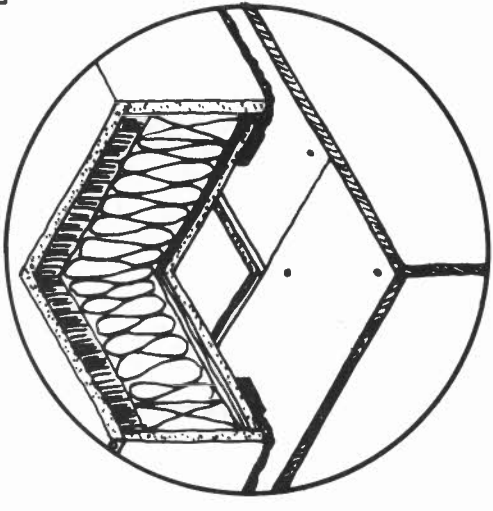
DRILL 1/2" Ø HOLES THROUGH WALL. FEED PIPE THROUGH.

2 BRACING

SCALE: 1/4" = 1'-0"

COVER 7 ASSEMBLY

BIN



MATERIALS:

- (1) 2x4 LUMBER, (2) 1/2" x 2" CLOSED CELL GASKET
- (3) 1/2" CDX PLYWOOD
- (4) 1" T&G STYROFOAM INSULATION & 3/2" FIB. BATT
- (5) 1/2" GYPSUM BOARD, TAPE, AND JOINT COMPOUND

FASTENERS:

- (1) 16d-3/2" & 8d-2 1/2" COMMON NAILS
 - (2) 1 1/2" NAILS WITH 7/16" HEADS
 - (3) 1" & 2" DEY WALL SCREWS
 - (4) 1/2" x 8" LAG SCREWS WITH WASHERS
- CAULK AT:
- (1) CONT. 1/4" BEAD UNDER NEOPRENE GASKETS
 - (2) CONT. IN PERIMETER GAP BETWEEN COVER, GASKET AND WALL PANELS



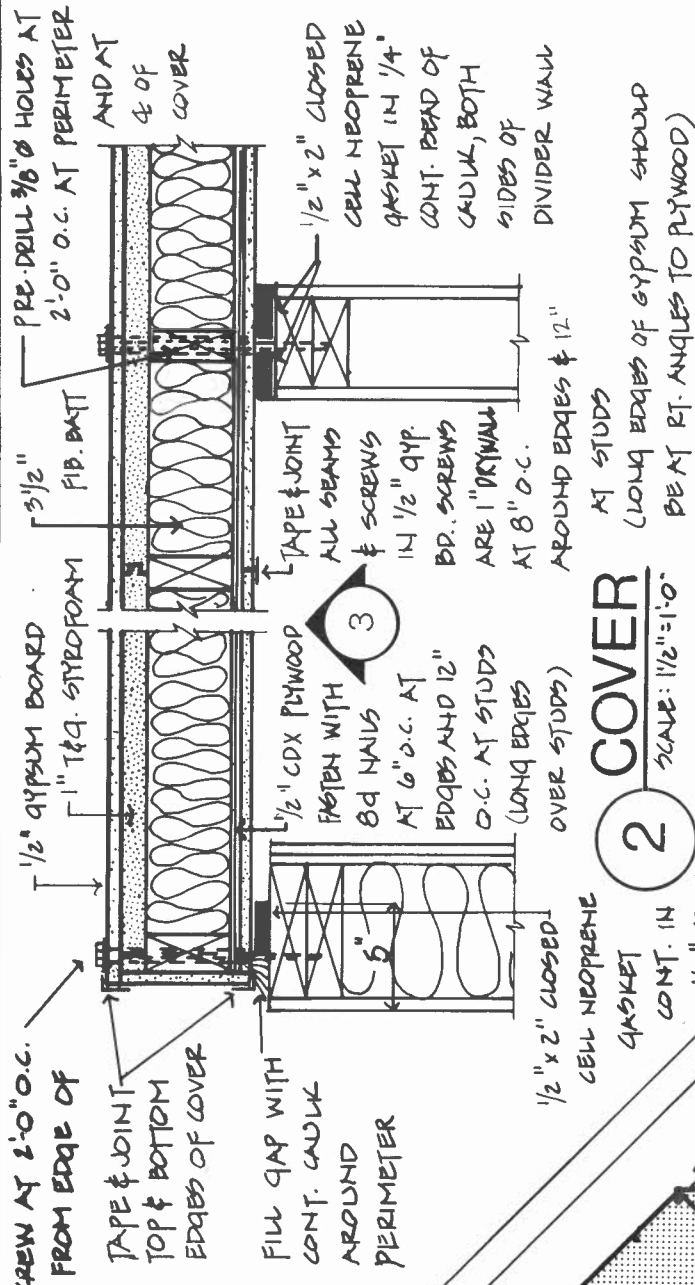
Church Hill, Harrisville, New Hampshire 03450

NOTICE

This design was developed for the United States Department of Energy. Neither TEA Inc., nor the United States nor the United States Department of Energy, nor any of their employees, nor any of their contractors, subcontractors, nor their employees makes any warranty, express or implied, or assumes any legal liability or responsibility for the accuracy, completeness, or usefulness of any information, apparatus, product, or process disclosed or contained on any of these plans, or represents that its use would not infringe upon privately owned rights.

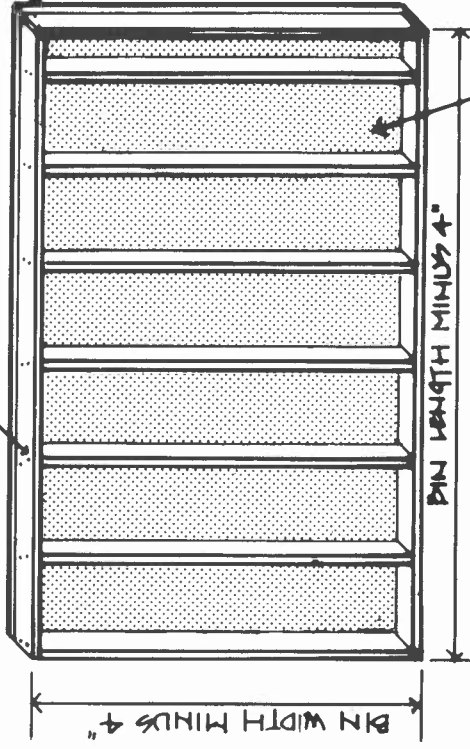
PREPARED BY: J.A. ADAMS

FEBRUARY, 1980



1/2" GYPSUM BD WITH LONG SIDES AT RIGHT ANGLES TO STYROFOAM. FASTEN WITH 2" DEY WALL SCREWS AT 8" O.C. INTO STUDS & FRAME 4 OF 2x4 ABOVE 4 OF DIVIDER WALL

2x4 AT 24" O.C. END. NAIL 2-16d EACH END



3 FRAMING

SCALE: 1/4" = 1'-0"

