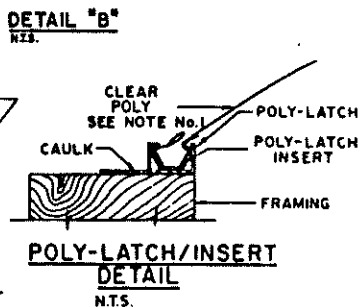
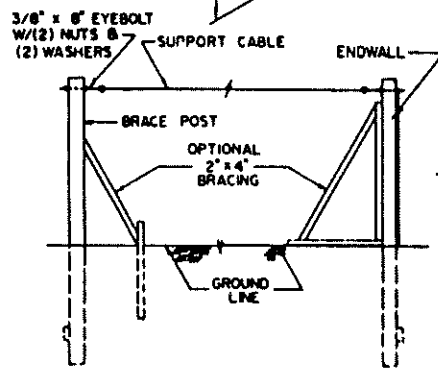
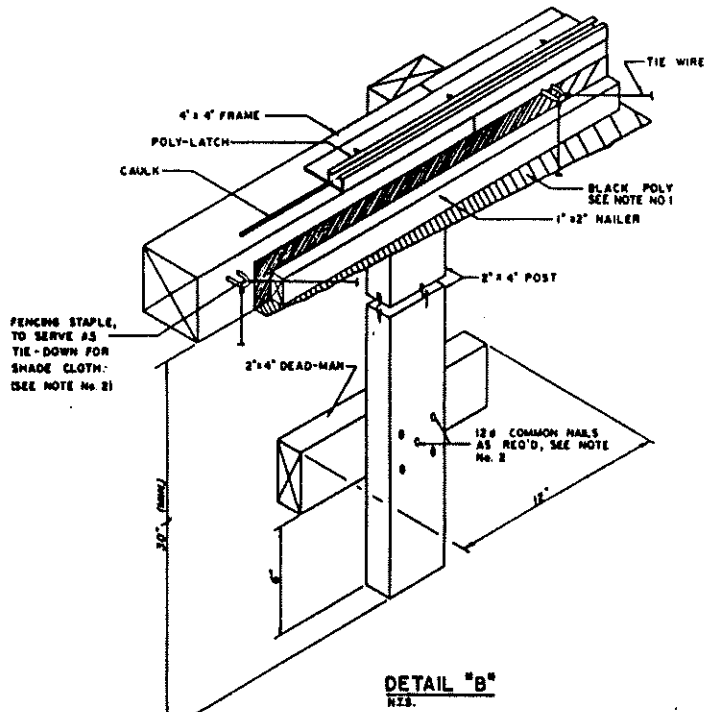
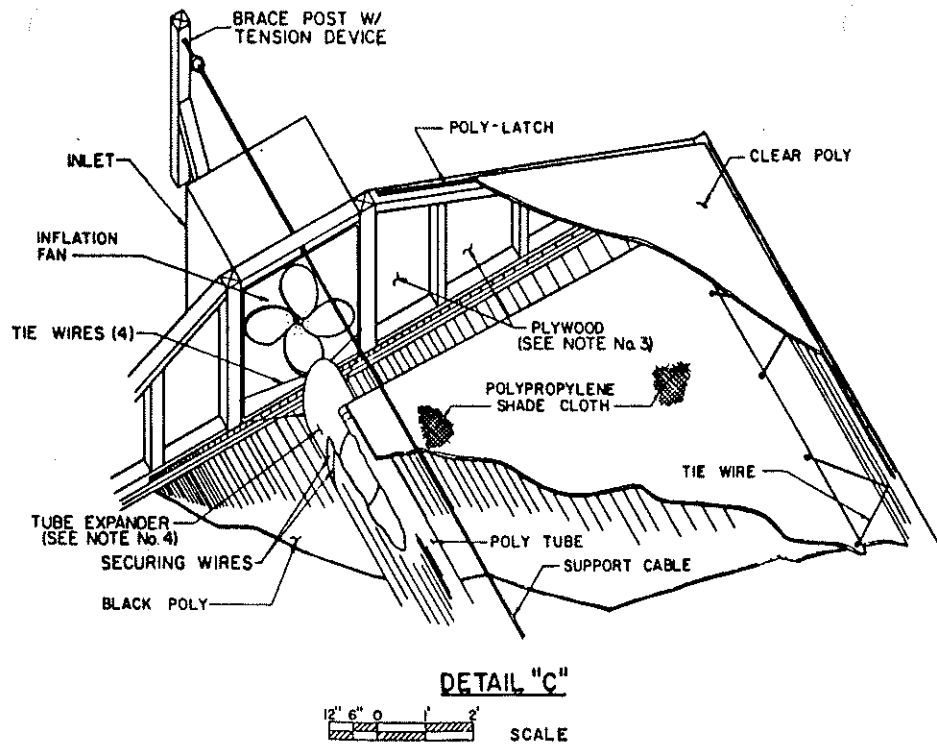
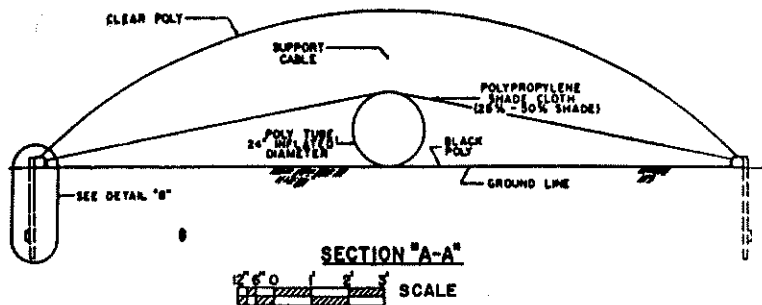


COOPERATIVE EXTENSION SERVICE AGRICULTURE AND HOME ECONOMICS		
AND UNITED STATES DEPARTMENT OF AGRICULTURE COOPERATING		
LOW COST SOLAR COLLECTOR FOR GRAIN DRYER		
FL '80	6341	SHEET 1 OF 2
REV. '88		



NOTES:

1. ALL POLY SHALL BE FOLDED AS TO PROVIDE DOUBLE THICKNESS AT POINTS OF ATTACHMENT.
2. ALL NAILS AND STAPLES SHALL BE HOT-DIP GALVANIZED.
3. PLYWOOD SHALL BE GLUED AND NAILED TO PROVIDE SEAL.
4. TUBE EXPANDER MAY BE ANY CIRCULAR ITEM HAVING A 24" DIAMETER. PURPOSE IS TO HOLD THE MOUTH OF THE POLY TUBE OPEN FOR INFLATION.
5. ALL BUTT JOINTS ON FRAMING SHALL BE CAULKED OR OTHERWISE SEALED.
6. ALL 4"x4" FRAMING JOINTS SHALL BE AT CENTER-LINE OF POSTS. SEE DETAIL "B" THIS SHEET.
7. ALL FRAMING, BRACES AND POSTS SHALL BE NEW PRESSURE TREATED LUMBER.
8. ALL PLYWOOD SHALL BE 1/2", EXTERIOR GRADE.
9. DUE TO POOR SOIL CONDITIONS, OPTIONAL BRACING MAY BE DESIRED.

BILL OF MATERIALS

ITEM No.	QUANT.	DESCRIPTION
1	29	4"x4" P.T., 8' LENGTH (FRAMING)
* 2	4	4"x4" P.T., 6' LENGTH (POSTS)
3	8	2"x4" P.T., 12' LENGTH (ENDWALLS, BRACING & FRAMING)
4	9	2"x4" P.T., 12' LENGTH (POSTS & DEADMEN)
5	232L.F.	1"x2" P.T., (NAILER STRIP)
6	4	4"x 8' x 1/2" EXTERIOR PLYWOOD
7	240L.F.	POLY-LATCH W/INSERT (CAVE ENTERPRISES, INC. OR EQUAL)
8	100L.F.	24' WIDE, 6 mil BLACK POLYETHYLENE
9	94L.F.	18' WIDE SHADE CLOTH (25% - 50% SHADE W/ GROMMETS @ 2' O.C.)
10	96L.F.	24" DIAMETER POLY-TUBE
11	100L.F.	24' WIDE, 6 mil CLEAR POLYETHYLENE (MONSANTO 601 OR EQUAL)
12	110 L.F.	1/8" DIAMETER TENSION CABLE (PLASTIC COATED)
13	2	3/8" EYEBOLT, 8" W/EXTRA THREAD
14	220L.F.	TIE WIRE, SIZE AS REQUIRED
15	As Req'd	12d COMMON NAILS (SEE NOTE No 2)
16	As Req'd	8d COMMON NAILS (SEE NOTE No 2)
17	As Req'd	1-1/2" (MIN.) FENCE STAPLES (SEE NOTE No. 2)
18	As Req'd	No. 8 WOOD SCREWS 1-1/4" LENGTH
* 20	1	4"x4" P.T., 6' LENGTH (OPTIONAL BRACE)

COOPERATIVE EXTENSION SERVICE
AGRICULTURE AND HOME ECONOMICS

AND
UNITED STATES DEPARTMENT OF AGRICULTURE COOPERATING

LOW COST SOLAR COLLECTOR
FOR GRAIN DRYER

FL '80 6341 SHEET 2 OF 2

REV. '88