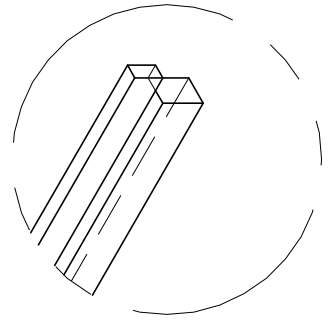
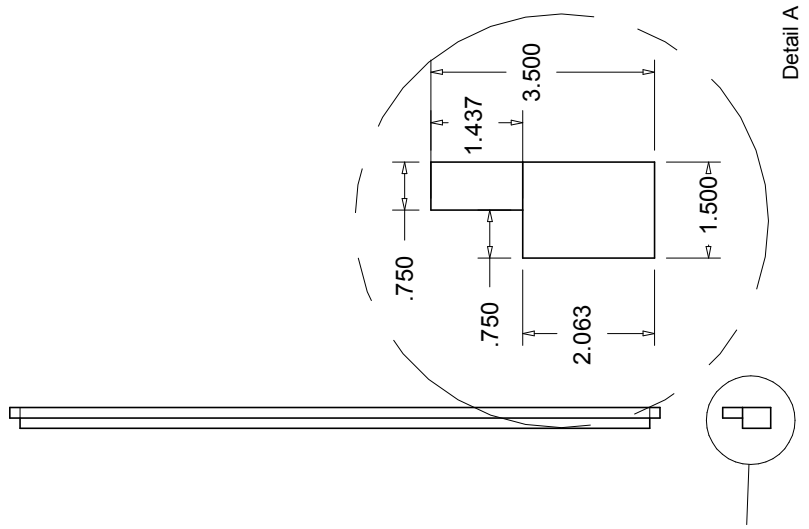


Detail D



Detail B



Detail A